

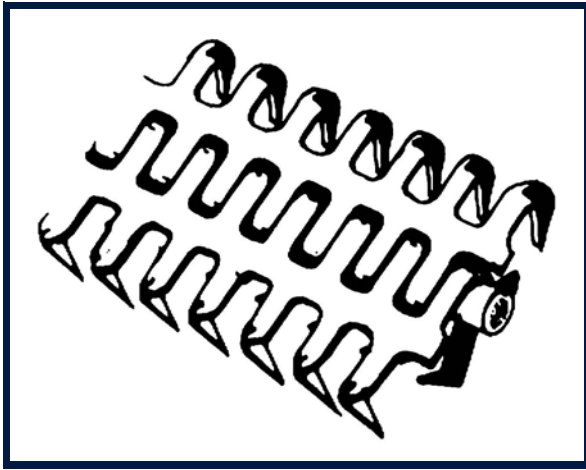
ra Rubber & Accessories

Your Hose and Belting Resource

Lakeland, FL - 800-282-1734 / Tucker, GA - 800-647-3743



ALLIGATOR LACING



Carton contains everything needed for 4 complete joints: 4 sets (joints) of lacing, 4 corrugated hinge pins and 1 installation gauge pin with clips.

ALLIGATOR® LACING SELECTION CHART

Lacing Size	For Belts With Mechanical Fastener Ratings Up To:		Belt Thickness Range		Recommended Min. Pulley Diameter		Approx. Corrugated Hinge Pin Diameter	
	P.I.W	KN/m	in.	mm	in.	mm	in.	mm
00	25	4.3	Up thru 1/16	Up thru 1.6	1	25	3/64	1.2
1	45	7.8	1/16-3/32	1.6-2.4	1-1/2	38	1/16	1.6
7	50	8.7	3/32-9/64	2.4-3.6	2	51	1/16	1.6
15	65	11.4	1/8-5/32	3.2-4.0	2-1/2	64	3/32	2.4
20	95	16.6	5/32-3/16	4.0-4.8	3	76	7/64	2.8
25	100	17.5	3/16-7/32	4.8-5.6	4	102	1/8	3.2
27	100	17.5	7/32-9/32	5.6-7.1	5	127	1/8	3.2
35	150	26.0	9/32-5/16	7.1-7.9	7	178	9/64	3.6

45	165	28.0	5/16-3/8	7.9-9.5	9	229	3/16	4.8
55	175	30.0	3/8-7/16	9.5-11.1	12	305	13/64	5.2
65	200	35.0	7/16-1/2	11.1-12.7	14	356	13/64	5.2

STEEL LACING CARTONS WITH STEEL CORRUGATED HINGE PINS

View Belt Accessories as PDF 

BELT WIDTH			DESCRIPTION	PRODUCT CODE
00				
12"		00-12	10050	62170
18"		00-18	10053	62173
24"		00-24	10056	62176
30"		00-30	10059	62179
36"		00-36	10061	62181
42"		00-42	10062	
48"		00-48	10063	62183
60"				
1A				
12"		1A-12	10070	62186
18"		1A-18	10073	62189
24"		1A-24	10076	62192
30"		1A-30	10079	62195
36"		1A-36	10081	62197
42"		1A-42	10082	62198
48"		1A-48	10083	62199
60"		1A-60	10085	62201
7				
12"		7-12	10090	62202
18"		7-18	10093	62205
24"		7-24	10096	62208
30"		7-30	10099	62211
36"		7-36	10101	62213
42"		7-42	10102	----
48"		7-48	10103	62215
60"		7-60	10105	62217
15				
12"		15-12	10482	62218
18"		15-18	10112	62221
24"		15-24	10115	62224
30"		15-30	10118	62227
36"		15-36	10120	62229
42"				
48"		15-48	10122	62231

60"	15-60	10124	62233
20			
12"	20-12	10483	62234
18"	20-18	10132	62237
24"	20-24	10135	62240
30"	20-30	10138	62243
36"	20-36	10140	62245
42"	20-42	10141	62246
48"	20-48	10142	62247
60"	20-60	10144	62249
25			
12"	25-12	10484	62250
18"	25-18	10152	62253
24"	25-24	10155	62256
30"	25-30	10158	62259
36"	25-36	10160	62261
42"	25-42	10161	
48"	25-48	10162	62263
60"	25-60	10164	62265
27			
12"	27-12	10485	62266
18"	27-18	10167	62269
24"	27-24	10170	62272
30"	27-30	10173	62275
36"	27-36	10175	62277
42"	27-42	10176	
48"	27-48	10177	62279
60"	27-60	10179	62281
35			
12"	35-12	10486	62282
18"	35-18	10182	62285
24"	35-24	10185	62288
30"	35-30	10188	62291
36"	35-36	10190	62293
42"			
48"	35-48	10192	62295
60"	35-60	10194	62297

[Previous Page](#) || [View PDF of Belt Accessories](#) 

ra Rubber & Accessories

Your Hose and Belting Resource

Lakeland, FL - 800-282-1734 / Tucker, GA - 800-647-3743



ALLIGATOR - READY SET STAPLE FASTENERS



ALLIGATOR® READY SET™ STAPLE FASTENERS SELECTION CHART

FASTENER SIZE	OPERATING TENSION RANGE		BELT THICKNESS RANGE		MIN. PULLEY DIAMETER		APPROX. HINGE PIN DIAMETER	
	P. I. W	KN/M	IN.	MM	IN.	MM	IN (NYLON-STEEL)	MM (NYLON-STEEL)
RS62	100	17	1/16-1/8	1.5-3.2	2	50	nylon.080,steel.080	nylon 2.0,steel 2.0
RS125	160	28	1/8-3/16	3.2-4.8	3	75	nylon.141,steel.141	nylon 3.6,steel 3.6
RS187	200	35	3/16-1/4	4.8-6.4	4	102	nylon.203,steel.187	nylon 5.2,steel 4.7

STEEL

STAINLESS (TYPE 316)

BELT WIDTH	DESCRIPTION	PROD CODE	DESCRIPTION	PROD CODE	DESCRIPTION	PROD CODE
INCHES	WITH NYLON COVERED STEEL CABLE PINS (NC)		WITH STEEL SPRING WIRE PINS (SP)		WITH STAINLESS SPRINGS WIRE PINS (SS)	
12"	RS125J12/300NC	54515 61921			RS125SJ12/300SS	54537
18"	RS125J18/450NC	54518 61924			RS125SJ18/450SS	54540 61942
24"	RS125J24/600NC	54520 61926	RS125J24/600SP	54531 61936	RS125SJ24/600SS	54542 61944
30"	RS125J30/750NC	54521 61927			RS125SJ30/750SS	54543 61945
36"	RS125J36/900NC	54522 61928			RS125SJ36/900SS	54544 61946
42"	RS125J42NC	54523				
48"	RS125J48NC	54524 61930			RS125SJ48SS	54545 61948
60"	RS125J60NC	54525			RS125SJ60SS	54546 61950

STEEL

BELT WIDTH	DESCRIPTION	PRODUCT CODE	DESCRIPTION	PRODUCT CODE
INCHES	WITH NYLON COVERED STEEL CABLE PINS (NC)		WITH STAINLESS SPRINGS WIRE PINS (SS)	
12"	RS187J12/300NC	54588 61963		
18"	RS187J18/450NC	54590 61965		
24"	RS187J24/600NC	54592 61967	RS187SJ24/600SS	54607 61984
30"	RS187J30/750NC	54593 61968	RS187SJ30/750SS	54608 61985
36"	RS187J36/900NC	54594 61969	RS187SJ36/900SS	54609 61986
42"	RS187J42NC	54595		
48"	RS187J48NC	54596 61971	RS187SJ48SS	54611 61988
60"	RS187J60NC	54597	RS187SJ60SS	54612 61990

HINGE PINS (EXTRA)

	NC1	NCS1
	NYLON COVERED STEEL CABLE	NYLON COVERED STAINLESS CABLE
	COIL	
For 125	LENGTH description product code	description product code
	FOOT	
	100' NC1-C 50662	NCS1-C 50666

NC187

NCS187

NYLON COVERED STEEL CABLE

NYLON COVERED STAINLESS CABLE

COIL

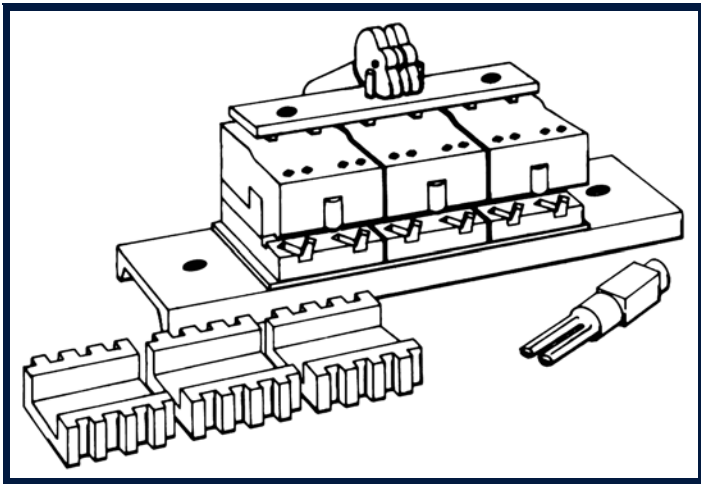
LENGTH	description	product code	description	product code
--------	-------------	--------------	-------------	--------------

For 187 FOOT

100'	NC187-C	50670	62115	NCS187-C	50674	62116
------	---------	-------	-------	----------	-------	-------

INSTALLATION TOOLS

ALLIGATORRSC187



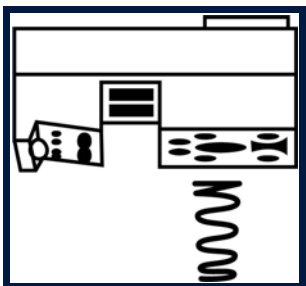
(FOR SIZES NO. 62, NO. 125, AND NO. 187.)

DESCRIPTION

PRODUCT CODE

RSC187	54626	62015
RSC187-4	54627	62020
RSC187-6	54628	62025

READY SET STAPLE GUIDE BLOCK

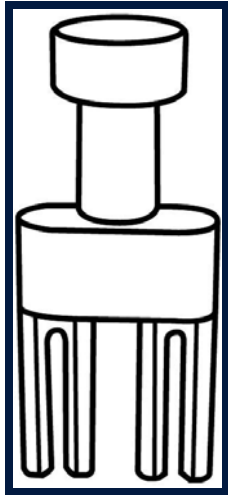


(INCLUDES CAM LEVER SPRING.)

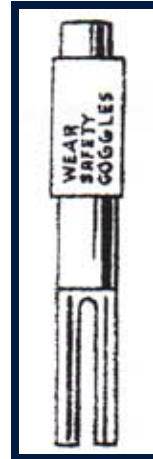
DESCRIPTION	PRODUCT CODE	
	CODE	
ST5-5	50016	62010

ALLIGATORSTAPLE DRIVERS

ST6-9 QUAD DRIVER



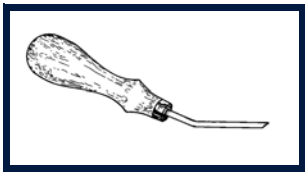
ST3-9 DRIVER



(DRIVES FOUR STAPLES AT ONE TIME)

DESCRIPTION	PRODUCT CODE	
ST6-9 QUAD	50201	62191
ST3-9	50200	62090

ROUGH TOP BELT WIDTH SKIVER



DESCRIPTION	PRODUCT CODE	
RTBS Rough Top Skiver	03239	60697

HINGE PIN RETAINING WASHERS

FOR FASTENER NUMBER	DESCRIPTION	PRODUCT CODE	
125	125-RET-50	50053	62161
187	187-RET-50	50075	62163

MEGALLOY STAPLE FASTENERS



MEGALLOY FASTENERS

DESCRIPTION	PRODUCT CODE
125MA	50270
187MA	50272

EXTRA STAPLES FOR MEGALLOY FASTENERS

FOR FASTENER NUMBER	DESCRIPTION	BOX QTY	PRODUCT CODE	
125	S125	50144	990	61872
187	S187	50146	990	61873

[Previous Page](#) || [View PDF of Flexco Products](#) 

Rubber & Accessories, Inc. | Lakeland, FL - 800.282.1734 || Tucker, GA - 800.647.3743 | Email: [INFO](#)

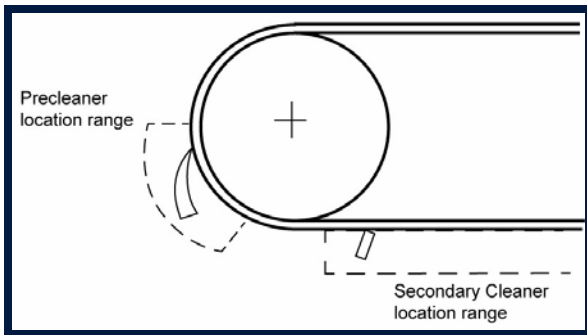
ra Rubber & Accessories

Your Hose and Belting Resource

Lakeland, FL - 800-282-1734 / Tucker, GA - 800-647-3743



WHY ARE BELT CLEANERS NEEDED?



Saves Money

- Increases belt wear life.
- Extends life of rollers, pulleys, and splices.
- High cost of accidents.

Reduces Maintenance Costs

- Minimizes manual cleanup.
- Protects against belt mistracking.
- Reduces conveyor component replacement costs.
- Reducing carryback from 3% to 1% means a 67% reduction in maintenance costs.

Keeps Conveyors Running Efficiently and Consistently

- Reduces unscheduled downtime.
- Increases production uptime.

Improves Safety

- Reduces housekeeping problems.
- 42% of conveyor-related accidents happen while maintenance tasks are being done.

TYPES OF BELT CLEANERS

Precleaners

- Mounted on the head pulley.

- Mounted below the material flow.
- Blade is always narrower than the belt width.
- Ideally, the blade covers just the belt's material path.
- Removes the big stuff. Typically cleans off up to 80% of the initial carryback.

Secondary Cleaners

- Located just past where the belt leaves the head pulley and anywhere down the beltline.
- Special secondaries may allow for mounting under the head pulley.
- Blade width is always the belt width or wider.
- Removes sticky fines - the final cleaning job.
- Cleaning efficiencies can be 90% +.
- May require a hold-down roller for maximum performance.

Specialty Cleaners

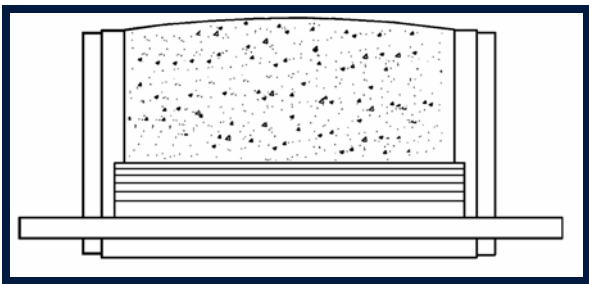
- Precleaners or Secondaries designed especially for specific or extreme applications.

Definition of Terms

- Carryback-Material that sticks to the belt after it leaves the transfer point and continues falling off along the conveyor's return side.
- Material Path - The section of the belt where most of the material is conveyed.
- Typically the center 2/3 of the belt.
- Hold-Down Roller - A stabilizing roller located on top of the return side of the belt to prevent belt flap or to provide a consistent flat surface for the blades on lighter-tensioned belt.

TYPES OF CLEANER BLADES

Urethane Blades



Not all urethanes are the same. Flexco's urethane blades are specially formulated for abrasion resistance and long wear.

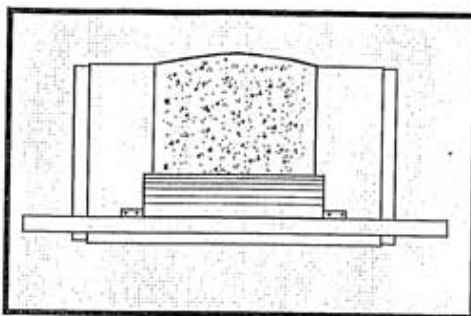
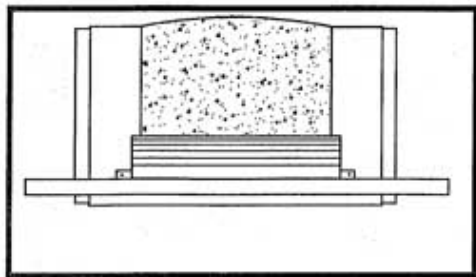
Independent testing has shown that Flexco's urethane blades last as much as 30% longer than other OEM blades.

- Easy on the belt.
- Work well with mechanical splices.
- Economical.
- Speciality formulations for high heat or water removal.

Less advanced urethane formulations result in blades that experience quicker wear and provide less efficient cleaning.

Tungsten Carbide

Excellent for superior cleaning efficiency and long wear. The quality and application of carbides can vary. Flexco has invested years of research and testing to develop tungsten carbide tips for both vulcanized and mechanically fastened belts. And a quality process ensures consistent results.

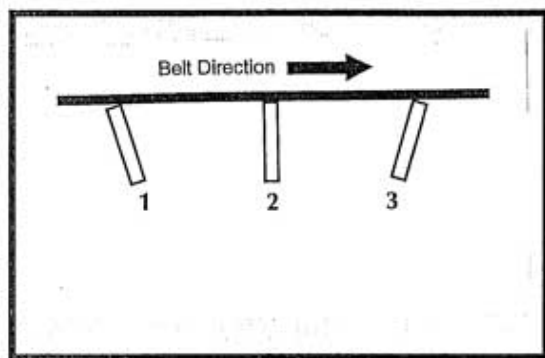


- Superior cleaning.
- Long Wear.
- C-Tips/blades for mechanical splices and
- V-Tips/blades for vulcanized belts.

The "Material Path" Option
(for Precleaners)

For optimal cleaning and reduced blade retensioning, the cleaner blade width should be sized to fit the material path of the belt. The material path is typically the center 2/3 of the belt width. Choosing a blade only slightly wider than the material path can decrease differential blade wear which reduces blade retensioning maintenance, as well as reducing the frequency of blade replacement.

BLADE ANGLE (SECONDARY CLEANERS)



1. Aggressive - excellent cleanability, high risk for belt damage.
2. 90° to belt - good cleaning efficiency; must have good blade relief for splices.
3. Wiping - a little less cleaning power; safer on belts in poor condition or with poor mechanical splices.

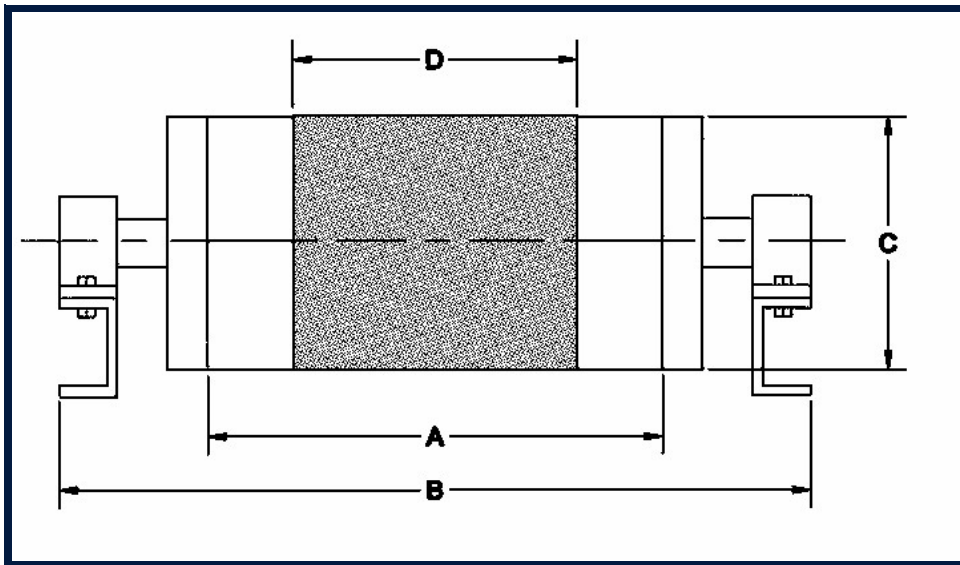
BELT CLEANING SYSTEMS

Many applications will require more than one belt cleaner to do a satisfactory cleaning job. A typical system includes a precleaner (to knock off the initial flow of carryback), one or more secondary cleaners (to take off the sticky fines) and many times, a final specialty cleaner (to remove the water).

Keys to Good Belt Cleaning

- Proper cleaner selection for the application

- Correct installation
- Regular service maintenance



SPECIFYING AND ORDERING BELT CLEANERS

Information Needed:

- A. Belt Width
- B. Conveyor Frame (structure) Width
- C. Head Pulley Diameter
- D. For Precleaners -What is the Belt's Material Path
- E. Material Conveyed (dry,wet,sticky,etc)
- F. Type of Belt Splice:

Mechanical - Skived or Unskived

Vulcanized

G. Temperature or Other Extreme Environmental Factors

H. Does the Belt Reverse

BELT ACCESSORIES

PRECLEANER SELECTION GUIDE

APPLICATION DESCRIPTION	EZP 1	MSP	MMP	MHCP	H-TYPE (XF)	H-TYPE (V)	HIGH TEMP CONSHEAR	HIGH TEMP V-TIP
Belt Width*	12-72"	24-84"	24-84"	24-84"	18-72"	18-72"	12-72"	18-48"
Belt Speed	<700fpm	<700fpm	<1000fpm	<1200fpm	<700fpm	<1000fpm	<700fpm	<1000fpm
Head Pulley Diameter	10-36"	16-42"	16-48"	20-48"	10-53"	10-63"	10-36"	8-35"

EST (Purple, Silver, or Black Spring)	Yes	No	No	No	No	No	Yes	No
---------------------------------------	-----	----	----	----	----	----	-----	----

Precleaner Tensioners Available

Spring (with Mount and J-Bolt)	No	No	No	No	No	No	No	Yes
QMT (Purple, White, or Gold Spring)	No	Yes	Yes	No	Yes	Yes	No	No
PST (White or Silver Spring)	No	No	No	Yes	No	No	No	No
AWT (Air/Water)	No	No	No	Yes	No	No	No	No
NT (Nitrogen)	No	No	No	Yes	No	No	No	No

Belt Conditions

Reversing Belts	Yes	Yes	Yes	Yes	Yes	Yes	Yes	Yes
Mechanical Fasteners	Yes	Yes	Yes	Yes	Yes	No	Yes	No

Precleaner Blade Options

ConShear	Yes	Yes	No	No	No	No	No	No
ConShear High Temp	No	No	No	No	No	No	Yes	No
TuffShear	No	No	Yes	No	No	No	No	No
SuperShear	No	No	No	Yes	No	No	No	No
HF Molded Blade	No	No	No	No	Yes	No	No	No
HXF2 Blade	No	No	No	No	Yes	No	No	No
H V-Tip	No	No	No	No	No	Yes	No	Yes
H Protected V-Tip	No	No	No	No	No	Yes	No	Yes

PRECLEANER BLADE SPECIFICATIONS

BLADE TYPE	CON SHEAR	CON SHEAR HIGH TEMP	TUFF SHEAR	SUPER SHEAR	HXF	HXF2	H V-TIP	H PROTECTED V-TIP
Belt Speed	<700fpm	700fpm	<1000fpm	<1200fpm	<700fpm	<700fpm	<1000fpm	<1000fpm
Temperature Range	-30 to 180°F -35 to 82°C	up to 275°F (135°C) with spikes to 325°F (163°C)	-30 to 180°F -35 to 82°C	-30 to 180°F -35 to 82°C	-30 to 180°F -35 to 82°C	-30 to 180°F -35 to 82°C	-30 to 400°F -35 to 205°C	-30 to 400°F -35 to 205°C
Urethane	Yes	Yes	Yes	Yes	Yes	Yes	No	No
Durometer	83	93	83	90	84	83	N/A	N/A
Tungsten Carbide	No	No	No	No	No	No	Yes	Yes
Work with Mechanical Fasteners	Yes	Yes	Yes	Yes	Yes	Yes	No	No

PRECLEANER TENSIONER SPECIFICATIONS

**EST SPRING
TENSIONER
(PURPLE, SLIVER,
BLACK)**

**SPRINT
(J-
BOLT)**

**QMT SPRING
TENSIONER
(PURPLE, WHITE,
GOLD)**

**PST SPRING
TENSIONER
(WHITE, SILVER)**

**AWT
AIR/WATER
TENSIONER**

**NT
NITROGEN
TENSIONER**

ORDERING INFORMATION - CONSheAR REPLACEMENT BLADES

ITEM CODE	BLADE WIDTH	DESCRIPTION	PRODUCT CODE
75629	16	CRB16	67225
75630	22	CRB22	67226
75631	28	CRB28	67227
75632	34	CRB34	67228
75633	40	CRB40	67229
75634	46	CRB46	
75635	52	CRB52	
75636	58	CRB58	

EZP1 PRECLEANER

Belt Width minus 2"

BELT WIDTH	BLADE WIDTH	DESCRIPTION	PRODUCT CODE
24	22	EZP1-224	75612 67205
30	28	EZP1-230	75613 67206
36	34	EZP1-236	75614 67207
42	40	EZP1-242	75615 67208
48	46	EZP1-248	75616 67209

SECONDARY CLEANER SELECTION GUIDE

APPLICATION DESCRIPTION	EZS2	MSS	MHS (C-TIP)	MHS (V-TIP)	MDWS	P-TYPE (C-TIP)	P-TYPE (V-TIP)	P-TYPE LS (C-TIP)
Belt Width*	18" - 72"	24" - 84"	24" - 84"	24" - 84"	24" - 84"	18" - 120"	18" - 120"	18" - 54"
Belt Speed	<700fpm	<1000fpm	<1200fpm	<1200fpm	<1000fpm	<1000fpm	<1000fpm	<1000fpm

Secondary Cleaner Tensioners Available

Adjusting Bolt	Yes	No	No	No	No	Yes	Yes	Yes
SST (Spring Tensioner)	No	Yes	Yes	Yes	Yes	No	No	No
U-Type Spring Mount	No	No	No	No	No	No	No	No
SAT (Air/Water)	No	No	Yes	Yes	No	No	No	No

Belt Conditions

Reversing Belts	No	No	Yes	Yes	Yes	No	No	No
-----------------	----	----	-----	-----	-----	----	----	----

Works with Mechanical Fasteners	Yes	Yes	Yes	No	Yes	Yes	No	Yes
---------------------------------	-----	-----	-----	----	-----	-----	----	-----

Secondary Cleaner Blade Options

C-Tip	Yes	Yes	Yes	No	No	Yes	No	Yes
PV-Tip	No	No	No	No	No	No	Yes	No
DryWipe Blade	No	No	No	No	Yes	No	No	No
U F-Blade	No	No	No	No	No	No	No	No
U C Blade	No	No	No	No	No	No	No	No
U V Blade	No	No	No	No	No	No	No	No
R V-Tip	No	No	No	Yes	No	No	No	No
Chevron	No	No	No	No	No	No	No	No

Clearance Guidelines

Horizontal	4"	4"	4"	4"	4"	4"	4"	5"
Vertical	8 1/2" for 18"-54" 9 1/2" for 60"-72"	9"	9 1/2"	9 1/2"	10"	8" for 18"-72" 8 1/2" for HD42"-120"	8" for 18"-72" 8 1/2" for HD42"-120"	5 1/2"

Special sizes available upon request.

APPLICATION DESCRIPTION	U-TYPE (F-BLADE)	U-TYPE (C-BLADE)	U-TYPE (V-BLADE)	R-TYPE (C-TIP)	R-TYPE (V-TIP)	HIGH	CHEVRON
Belt Width*	18" - 72"	18" - 72"	18" - 72"	18" - 72"	18" - 72"	18" - 72"	18" - 60"
Belt Speed	<1000fpm	<1200fpm	<1200fpm	<1000fpm	<1000fpm	<700fpm	<500fpm

Secondary Cleaner Tensioners available

Adjusting Bolt	No	No	No	Yes	Yes	Yes	Yes
SST (Spring Tensioner)	No	No	No	No	No	No	No
U-Type Spring Mount	Yes	Yes	Yes	No	No	No	No
SAT (Air/Water)	No	No	No	No	No	No	No

Belt Conditions

Reversing Belts	No	No	No	Yes	Yes	No	Yes
Works with Mechanical Fasteners	Yes	Yes	No	Yes	No	Yes	Yes

Secondary Cleaner Blade Options

C-Tip	No	No	No	Yes	No	Yes	No
PV-Tip	Yes	No	No	No	No	No	No
DryWipe Blade	No	No	No	No	No	No	No
U F-Blade	Yes	No	No	No	No	No	No
U C Blade	No	Yes	No	No	No	No	No
U V Blade	No	No	Yes	No	No	No	No
R V-Tip	No	No	No	No	Yes	No	No

Chevron	No	No	No	No	No	No	No	Yes
Clearance Guidelines								
Horizontal	5 1/4" - 9 3/4"	5 1/4" - 9 3/4"	5 1/4" - 9 3/4"	4"	4"	4"		10"
Vertical	5"	5"	5"	8"	8"		8 1/2" for 18"-54" 9 1/2" for 60"-72"	10"

SECONDARY CLEANER SELECTION GUIDE

BLADE TYPE	C-TIP	P V-TIP	DRYWIPER BLADE	U F-BLADE	U C-BLADE	U V-BLADE	R V-TIP	CHEVRON
Belt Speed	<1200fpm	<1000fpm	<1000fpm	<1000fpm	<1200fpm	<1200fpm	<1200fpm	<500fpm
Temperature Range	-30 to 400°F -35 to 205°C	-30 to 400°F -35 to 205°C	-30 to 180°F -35 to 82°C	-30 to 180°F -35 to 82°C	-30 to 180°F -35 to 82°C	-30 to 180°F -35 to 82°C	-30 to 400°F -35 to 205°C	-30 to 180°F -35 to 82°C
Urethane	No	No	Yes	Yes	Rubber	Rubber	No	Rubber
Durometer	N/A	N/A	83	90	84	83	N/A	N/A
Tungsten Carbide	Yes	Yes	No	No	Yes	Yes	Yes	No
Work with Mechanical Fasteners	Yes	No	Yes	Yes	Yes	No	No	Yes

[Previous Page](#) || [View PDF of Belt Accessories](#) 

ra Rubber & Accessories

Your Hose and Belting Resource

Lakeland, FL - 800-282-1734 / Tucker, GA - 800-647-3743



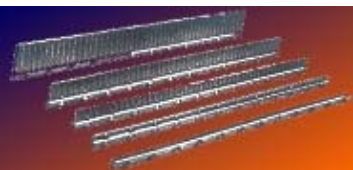
TATCH-A-CLEAT / TATCH-A-GUIDE

MODEL "L" CLEATS

Molded rubber Tatch-A-Cleat converts any conveyor or elevator belt into a cleated belt. Attached to the belt with just a punch and screwdriver. Sanitary and easily cleaned for food handling ... maximum shock protection for breakable packages and agricultural products ... for all inclined belts.

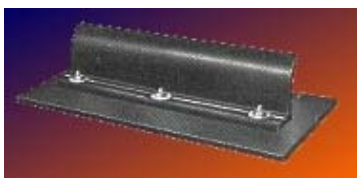
Cupped design of base provides tight compression to belt. Vertical ribs prevent suction between product and cleat. Made of white or black non-toxic FDA approved BUNA-N rubber; resistant to oil, heat, acid, and weather. Available in five heights and can be cut to any desired length. Plated or stainless steel fasteners.

TATCH-A-CLEAT (BLACK)*

	NUMBER	PIECES PER CARTON	WT. LBS.	PRODUCT CODE	
				PLATED	STAINLESS STEEL
	L-5/8"B	10	7.3	63073	-----
	L-1"B	10	9.3	63075	-----
	L-1 1/2"B	10	11.5	63077	-----
	L-2"B	10	14.0	63079	-----
	L-3"B	10	18.3	63081	-----

ECONO-CLEAT®

Extruded, rubber cleat designed for use where low cost, durable belt cleaning is desired. Bottom of cleat is concave to provide tight seal when bolted to belt. Applied to belt with punch and wrench.



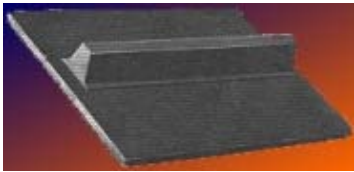
ORDERING NO.	HEIGHT AND LENGTH	PIECES PER CARTON	WT. LBS.	PRODUCT CODE
EC1 1/4	1 1/4" X 48"	5	12.5	63103

EC2	2" X 48"	5	15.5	63105
EC3	3" X 48"	5	22.0	63106
EC6	6" X 48"	2	28.3	
ECF	61 EXTRA FASTENERS IN BAG			

**Specify plated or stainless steel
White available on request · All Cleats 26 1/4" wide*

TATCH-A-CLEAT® MODEL "HD" CLEATS

Heavy duty rubber cleat for conveyor belts on construction equipment, agricultural harvesting, sand, stone or gravel handling, metal castings, and other inclining applications. Absorbs shock, highly resistant to abrasion, troughs easily ... anchored to belt with punch and Phillips screwdriver.



ORDERING NO.	HEIGHT AND LENGTH	PIECES PER CARTON	WT. LBS.	PRODUCT CODE
HD 1	1" X 24"	10	11.5	POR

TATCH-A-GUIDE®

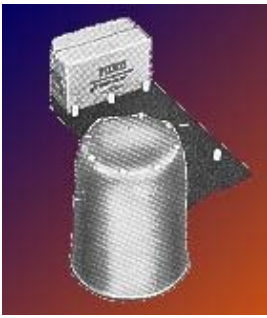
Rubber guides, shaped like V-belting, easily attached to the underside of conveyor belts with screws, keeps belts centered over pulleys. Made of high tensile rubber for wear resistance, and cogged for flexibility over pulleys. Used wherever belt tracking is a problem.



ORDER NO.	PIECES PER CARTON	LENGTH PER CARTON	PRODUCT CODE	
			PLATED	STAINLESS STEEL
A10	10	A-8"		
B10	10	B-8"		
C10	10	C-9 1/4"		

TATCH-A-LUG®

Screw-on, solid rubber lugs, used wherever long length cleats are not needed to elevate cased or packaged goods up steep inclines. Attached with punch and Allen wrench. May be positioned throughout belt to suit requirements.



ORDER
NO.

PIECES
PER CTN.

WT.
LBS

PRODUCT CODE

LG2

25

2

63125

[Previous Page](#)



[View PDF of Belt Accessories](#) 

Rubber & Accessories, Inc. | Lakeland, FL - 800.282.1734 | | Tucker, GA - 800.647.3743 | Email: [INFO](#)

ra Rubber & Accessories

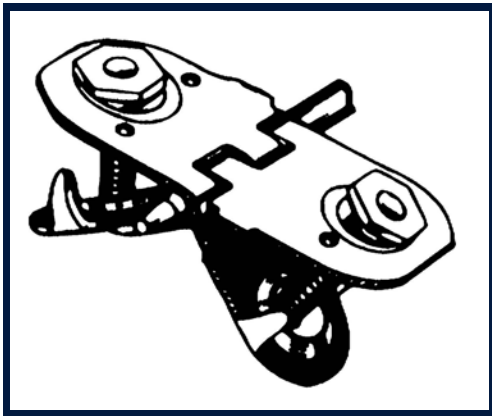
Your Hose and Belting Resource

Lakeland, FL - 800-282-1734 / Tucker, GA - 800-647-3743



FLEXCO FASTENERS

STEEL J CARTON-CONTINUOUS STRIP W/STEEL NUTS & BOLTS



FLEXCO[®] BOLT HINGED FASTENER SELECTION CHART

FASTENER SIZE	FOR BELTS WITH MECHANICAL FASTENER RATINGS UP TO:	BELT THICKNESS RANGE			RECOMMENDED MIN. PULLEY DIAMETER			
					OPERATING TENSION 100% OF BELT RATING		OPERATING TENSION UNDER 75% OF BELT RATING	
P.I.W	KN/m	in.	mm	in.	mm	in.	mm	
375X	190	33	1/4-13/32	6-11	6	152	4	102
550	300	52	1/4-5/8	6-16	9	230	7	178

	BELT WIDTH	DESCRIPTION NC		PRODUCT CODE
	INCHES	STEEL JOINT WITH NYLON COVERED STEEL CABLE		
	12"	375XJ12NC	40000	61332
	18"	375XJ18NC	40003	61333
	20"	375XJ20NC	40004	61334
375X	24"	375XJ24NC	40005	61335
	30"	375XJ30NC	40007	61337
	36"	375XJ36NC	40008	61338
	42"	375XJ42NC	40009	61339
	48"	375XJ48NC	40010	61340
	60"	375XJ60NC	39997	

STAINLESS₃₀₀ SERIES

("J" CARTON-Continuous Strip w/Steel Nuts & Bolts)

	BELT WIDTH	DESCRIPTION NC		PRODUCT CODE
	INCHES	STAINLESS JOINT WITH NYLON COVERED STAINLESS CABLE		CODE
375X	24"	375XSJ24NCS	40036	61361
	30"	375XSJ30NCS	40037	61363

STEEL

("J" CARTON-Continuous Strip w/Steel Nuts & Bolts)

	BELT WIDTH	DESCRIPTION NCS		PRODUCT CODE
	INCHES	STEEL JOINT WITH NYLON COVERED STEEL CABLE		
	18"	550J18NC	40138	61403
	20"	550J20NC	40046	61370
	24"	550J24NC	40047	61371
550	26"	550J26NC	40048	
	30"	550J30NC	40049	61373
	36"	550J36NC	40050	61374
	42"	550J42NC	40051	61375
	48"	550J48NC	40052	61376
	54"	550J54NC	40053	

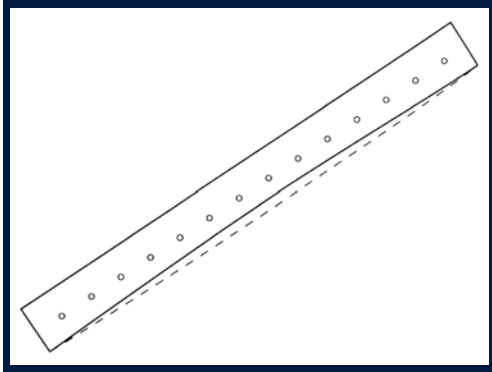
STAINLESS₃₀₀ SERIES

("J" CARTON-Continuous Strip w/Steel Nuts & Bolts)

BELT WIDTH	DESCRIPTION	PRODUCT CODE
INCHES	STAINLESS JOINT WITH NYLON COVERED STAINLESS CABLE	
550	24" 550SJ24NCS 40165	61440
	30" 550SJ30NCS 40166	61441
	60" 550SJ60NCS 39939	61446

INSTALLATION TOOLS

CURVED TEMPLETS



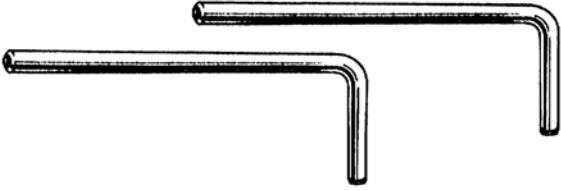
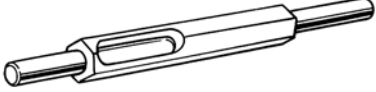

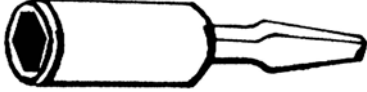
BELT WIDTH	DESCRIPTION	PRODUCT CODE	DESCRIPTION	PRODUCT CODE
	375X		550	
INCHES				
12"	375X-12 30813	61546	512 30799	61558
16"	375X-16 30815		516 30800	
18"	375X-18 30816	61547	518 30801	61560
24"	375X-24 30818	61549	524 30803	61562
30"	375X-30 30820	61551	530 30805	61564
36"	375X-36 30821	61552	536 30806	61565
42"	375X-42 30822	61553	542 30807	61566
48"	375X-48 30823	61554	548 30808	61567
54"			554 30809	
60"	375X-60 30825		560 30810	

MISCELLANEOUS

DESCRIPTION	PRODUCT CODE
Orange Filler Tubing for 375x & 550 (100'/pkg.)	30894 61224



FLEXCO INSTALLATION TOOLS

HAND TOOLS

DESCRIPTION	FOR FASTENER	ORDER NUMBER	ITEM CODE	PRODUCT CODE
 BOLT BREAKER (TWO PER PACKAGE)	375X & 550	110	30474	61228
 PUNCH	375X & 550	P1P	30460	61231
 BORING BIT	375X & 550	B1B	30468	61234
 WRENCH	375X & 550	100*	30445	61256
		S1S**	30442	61236

*For use with Steel No 375X or Steel No 550 Nuts
 **For use with Stainless 375X or Stainless 550 Nuts

POWER TOOLS

DESCRIPTION	FOR FASTENER	ORDER NUMBER	ITEM CODE	PRODUCT CODE
 POWER PUNCH	375X & 550	HP1	30463	61239
 POWER BORING BIT	375X & 550	HB1	30471	61242
		H100*	30446	61263
POWER WRENCH	375X & 550	HW1**	30447	61245
QUICK CHANGE CHUCK	375X & 550	5552	30481	61248

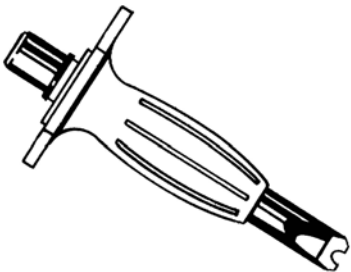
FLEXCO-LOK



BELT TAPE 100' PER CARTON

FASTENER SIZE	DESCRIPTION		TAPE WIDTH	PRODUCT CODE
Nos. 375/550	FL7C	30888	7/16"	61273

CRACKING CHISEL



NUT SIZE	DESCRIPTION		PRODUCT CODE
375/550	C1C	30438	61275

[Previous Page](#) || [View PDF of Flexco Products](#) 

ra Rubber & Accessories

Your Hose and Belting Resource

Lakeland, FL - 800-282-1734 / Tucker, GA - 800-647-3743



FLEXCO R2 & R5 MEDIUM-DUTY RIVET HINGED BELT FASTENERS



FLEXCOSR SCALLOPEDEDGE RIVET HINGED FASTENERS

ORDER EACH COMPONENT SEPARATELY FOR A COMPLETE SPLICE: FASTENER STRIP + RIVET

FLEXCO® RIVET HINGED FASTENER SELECTION CHART

FASTENER SIZE	FOR BELTS WITH MECHANICAL FASTENER RATINGS UP TO:		BELT THICKNESS RANGE		RECOMMENDED MIN. PULLEY DIAMETER			
					OPERATING TENSION 100% OF BELT RATING		OPERATING TENSION UNDER 75% OF BELT RATING	
					P.I.W	KN/m	in.	mm
R5	450	79	7/32-7/16	6-11	9	230	7	175
R5-1/2	650	114	5/16-19/32	8-15	12	300	10	250
R6	800	140	13/32-11/16	10.5-17	18	450	16	400
RAR6LP	800	140	5/16-23/32	8-18	18	450	16	400
RAR8	1500	263	13/32-11/16	10.5-17	18	450	16	400
R9S	2000	350	5/8-1	16-25.5	42	1050	42	1050

STEEL (CONTINUOUS STRIP)

BELT WIDTH	DESCRIPTION		PRODUCT CODE	
	in.	mm	PACKAGE (Two Fastener Strips)	
For R5	18"	450	R5-SE-18/450	41314 61694
	24"	600	R5-SE-24/600	41315 61695
	30"	750	R5-SE-30/750	41276 61697
	36"	900	R5-SE-36/900	41277 61698
	42"	1050	R5-SE-42/1050	41278 61699
	48"	1200	R5-SE-48/1200	41279 61700
	60"	1500	R5-SE-60/1500	41298 61702

STAINLESS TYPE 316 (CONTINUOUS STRIP)

	BELT WIDTH		DESCRIPTION	PRODUCT CODE	
	in.	mm		PACKAGE (Two Fastener Strips)	
For R5	18"	450	R5S-SE-18/450	41326	61680
	24"	600	R5S-SE-24/600	41327	61682
	30"	750	R5S-SE-30/750	41289	61683
	36"	900	R5S-SE-36/900	41290	61684
	48"	1200	R5S-SE-48/1200	41292	61686
	60"	1500	R5S-SE-60/1500	41294	61687

MEGALLOY (4 PLATE STRIPS. 10 STRIPS PER BOX)

	DESCRIPTION	PRODUCT CODE
For R5	R5MA-SE	41067 61705

FASTENERS



ORDER EACH COMPONENT SEPARATELY FOR A COMPLETE SPLICE: FASTENER STRIP + RIVETS + HINGE PIN

FLEXCO® R2 RIVET SPECIFICATION CHART

FASTENER SIZE	FOR BELTS WITH MECHANICAL FASTENER RATINGS UP TO:		BELT THICKNESS RANGE		RIVET SIZE	RECOMMENDED MIN. PULLEY DIAMETER	
	P.I.W	KN/M	IN.	MM		IN	MM
	R2	330	60	1/8-7/32" 3/16-5/16" 9/32-3/8"		3-6 4-8 7-10	SRAA SRA SRB

FLEXCO® R2 RIVET SPECIFICATION CHART

BELT WIDTH		RIVET REQUIRED
IN.	MM	
12	300	24
18	450	40
24	600	52
30	750	64
36	900	80
42	1050	92
48	1200	108
54	1350	120
60	1500	136

STEEL (CONTINUOUS STRIP)

BELT WIDTH		PRODUCT CODE	DESCRIPTION	
in.	mm	PACKAGE (Two Fastener Strips)		
12"	300	61630	R2-12/300	41613
18"	450	61631	R2-18/450	41614
24"	600	61632	R2-24/600	41615
30"	750	61633	R2-30/750	41616
36"	900	61634	R2-36/900	41617
42"	1050	61635	R2-42/1050	41618
48"	1200	61636	R2-48/1200	41619
60"	1500	61638	R2-60-1500	41624

For R2

STAINLESS 300 SERIES

in.	mm	PACKAGE (Two Fastener Strips)		
12"	300	61650	R2S-12/300	41628
18"	450	61651	R2S-18/450	41629
24"	600	61652	R2S-24/600	41630
30"	750	61653	R2S-30/750	41631
36"	900	61654	R2S-36/900	41632
42"	1050	61655	R2S-42/1050	41633
48"	1200	61656	R2S-48/1200	41634
60"	1500	61658	R2S-60/1500	41643

R2T APPLICATOR TOOL

TOOL SIZE		PRODUCT CODE	DESCRIPTION	
in.	mm			
12"	300	62000	R2T	40455

* If no SRTA Application Tool is available, fasteners may be installed with an R5S Flexco Rivet Set.

RIVET SET*

DESCRIPTION	PRODUCT CODE
R5S	40348 61998

RIVETS

SELF-SETTING, PRE-ASSEMBLED WITH PILOT NAILS

RIVET SELECTION CHART

FASTENER SIZE	BELT THICKNESS		RANGE	RIVET SIZE
	IN.	MM	MM	
R2/R5	7/32-5/16		6-8	SRA
	9/32-3/8		7-10	SRB
	11/32-7/16		9-11	SRC
	13/32-7/16		10.5-11	SRC/D
R5-1/2 & RAR6LP	5/16-11/32		8-9	SRB
	5/16-13/32		8-10.5	SRC
	3/8-15/32		10-12	SRC/D
	7/16-17/32		11-13.5	SRD
	1/2-19/32		13-15	SRE
	9/16-21/32		14-16.5	SRF*
	5/8-23/32		16-18	SRG*

RIVETS REQUIRED FOR ONE R5, R5-1/2 OR R6 JOINT

BELT WIDTH		RIVET REQUIRED
IN.	MM	
18"	450	100
24"	600	130
30"	750	160
36"	900	200
42"	1050	230
48"	1200	270
54"	1350	300
60"	1500	340
72"	1800	410

STEEL

DESCRIPTION	BOX QTY	PRODUCT CODE
BOX (100 RIVETS)		
SRA-100	40539	100

SRB-100	40540	100	
SRC-100	40541	100	
BOX (250 RIVETS)			
SRA	40527	250	61737
SRB	40528	250	61738
SRC	40529	250	61739
SRC/D	40538	250	61740
SRD	40530	250	61741
SRE	40531	250	61742
SRF	40532	250	61743
BUCKET (2000 RIVETS)			
SRA-2M	41190	2000	
SRB-2M	41191	2000	
SRC-2M	41192	2000	

STAINLESS (TYPE 430)

BUCKET (2000 RIVETS)

DESCRIPTION	BOX QTY	PRODUCT CODE
SRA-S-2M	41200	2000
SRB-S-2M	41201	2000
SRC-S-2M	41202	2000

HINGE PINS

PACKAGE OF 10 PINS

BELT WIDTH	DESCRIPTION NC		PRODUCT CODE
INCHES	NYLON COVERED STEEL CABLE (1/4"dia.)		
12"	NC-12	40150	61758
18"	NC-18	40153	61759
20"	NC-20	40154	61760
24"	NC-24	40155	61761
30"	NC-30	40157	61763
36"	NC-36	40158	61764
42"	NC-42	40159	61765
48"	NC-48	40160	61766
60"	NC-60	40162	61767
72"	NC-72	40163	61768

BELT WIDTH	DESCRIPTION NAC		PRODUCT CODE
INCHES	NYLON COVERED ARMORED CABLE (1/4"dia.)		
18"	NAC-18	40629	61748
24"	NAC-24	40631	61749
30"	NAC-30	40633	61751
36"	NAC-36	40634	61752
42"	NAC-42	40636	61753
48"	NAC-48	40637	61754
54"	NAC-54	40638	
60"	NAC-60	40639	61756
72"	NAC-72	40640	

For 375
550
R2
and R5

PACKAGE OF 10			PACKAGE OF 10			
BELT WIDTH	DESCRIPTION SC		PRODUCT CODE	DESCRIPTION SSC		PRODUCT CODE
INCHES	BARE STEEL CABLE (1/4"dia.)			BARE STAINLESS CABLE (7/32"dia.)		
24"	SC-24	40202	61775	SSC-24	40210	62829
30"	SC-30	40204	61776	SSC-30	40211	62830
36"	SC-36	40205	61777	SSC-36	40212	62832
42"	SC-42	40206		SSC-42	40213	62833
48"	SC-48	40207	61778	SSC-48	40214	62834

MISCELLANEOUS

DESCRIPTION			PRODUCT CODE
Hinge Pin Retaining Washers (50/Pkg.)		310-RET-50	40135 62165

ra Rubber & Accessories

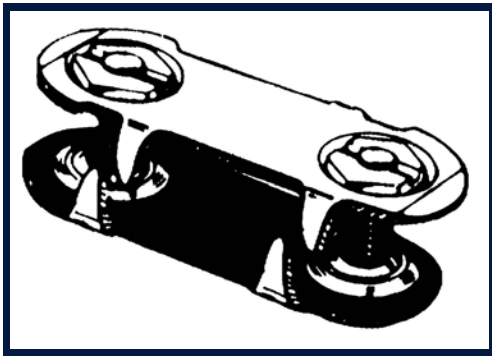
Your Hose and Belting Resource

Lakeland, FL - 800-282-1734 / Tucker, GA - 800-647-3743



FLEXCO BOLT SOLID PLATE FASTENERS

"E" BOX 25 FASTENER SETS



FLEXCO BOLT SOLID PLATE FASTENER SELECTION CHART

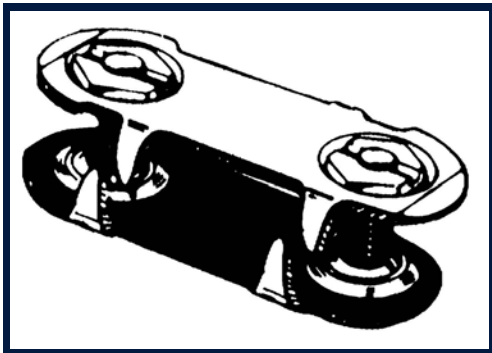
Fastener Size	For Belts With Mechanical Fastener Ratings Up To:		Belt Thickness Range		Recommended Min. Pulley Diameter					
					Operating Tension 100% of Belt Rating		Operating Tension Under 75% of Belt Rating		Operating Tension Under 50% of Belt Rating	
					P. I. W	KN/m	in.	mm	in.	mm
1	150	30	3/16-7/16	5-11	12	300	10	260	8	200
140*, 140VP	225	40	3/16-7/16	5-11	14	360	12	300	10	250
190, 190VP	330	60	5/16-9/16	8-14	18	460	16	410	14	360
1/1/2002	300	50	7/16-11/16	11-17	18	460	16	410	14	360
2, 2VP	440	75	9/16-13/16	14-21	30	760	28	710	24	610
2	700	123	15/16-1-1/4	8-32	20	510	20	510	20	510

*When used with No.3 Lead Wedlok Pattern
Belts over 7/8" (22mm) require extra long No.2-1/4 bolts

DESCRIPTION	PRODUCT CODE	DESCRIPTION	PRODUCT CODE	DESCRIPTION	PRODUCT CODE
STEEL		megalloy top & bottom plats. steel bolts & nuts		stainless-300 series	

1E	20002	60800						
140E	20000	60801	140EMAP	20364	60818	140ES	20034	60811
190E	20001	60802	190EMAP	20365	60819	190ES	20035	60812
1-1/2E	20004	60804	1-1/2EMAP	20366	60821	1-1/2ES	20038	60814
2E	20005	60805	2EMAP	20367	60823	2ES	20039	60815
2-1/4E	20006		2-1/4EMAP	20368				
2-1/2*	20007	60806						
3*	20008							
*10 Fastener Sets								

"E" BOX 25 FASTENER SETS



DESCRIPTION	PRODUCT CODE		
	megalloy top plates balance steel		
140EMA	20330	60835	
190EMA	20331	60836	
1-1/2EMA	20334		

FLEXCO VP FASTENERS (BOX)



RUBBER COVERED TOP PLATES BALANCE STEEL

DESCRIPTION	PLATES PER STRIP	STRIPS PER BOX	PRODUCT CODE	
140VP	20057	6	5	60845
190VP	20056	6	5	60846

*Box quantities provide enough fasteners to splice a 36" (900mm) belt.

"C" BUCKET (100 FASTENER SETS-BOTTOM PLATES PRE-ASSEMBLED)



STEEL	PRODUCT CODE	MEGALLOY TOP PLATES BALANCE STEEL	PRODUCT CODE	MEGALLOY TOP & BOTTOM PLATES, STEEL BOLTS & NUT	PRODUCT CODE
1C	20014	60865			
140C	20012	60866	140CMA	20340	60875 140CMAP 20370
190C	20013	60868	190CMA	20341	60876 190CMAP 20371
1-1/2C	20016	60869			
2C	20017				

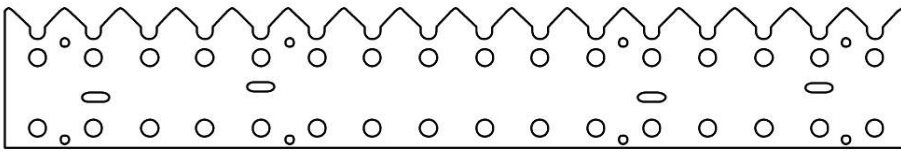
*PACKAGED IN CARTONS.

FASTENER SET REQUIRED FOR VARIOUS BELT WIDTHS

BELT WIDTH	FASTENER SIZE	FASTENER SIZE	FASTENER SIZE
IN.	QTY.	QTY.	QTY.
	1,140 & 190	1-1/2, 2 & 2-1/4	2-1/2 & 3
	90 DEG	90 DEG	90 DEG
12	10	8	6
18	15	12	9
24	20	16	13
30	25	20	16
36	30	24	19
42	35	28	22
48	40	32	26
54	45	36	29
60	50	40	32
72	60	48	39

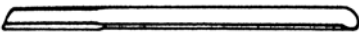
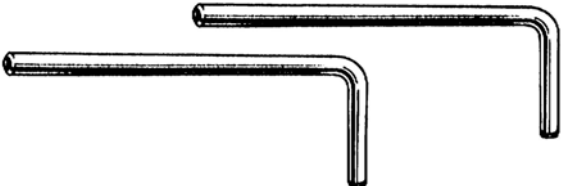
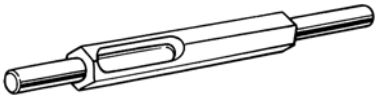
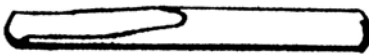
FLEXCO INSTALLATION TOOLS

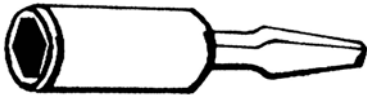
90 TEMPLATES



BELT WIDTH	DESCRIPTION	PRODUCT CODE	DESCRIPTION	PRODUCT CODE	DESCRIPTION	PRODUCT CODE
IN.	1		140		190	
18"	1-18	30519	60930		190-18	30503 60960
20"			140-20	30487		
24"	1-24	30521	60932	140-24	30488 60947	190-24 30505 60962
30"	1-30	30524	60935	140-30	30491 60950	190-30 30508 60965
36"	1-36	30525	60936	140-36	30492 60951	190-36 30509 60966
42"	1-42	30526	60937	140-42	30493 60952	190-42 30510 60967
48"	1-48	30527		140-48	30494 60953	190-48 30511 60968
60"						190-60 30513
			1-1/2		2	
24"			1-1/2-24	30553 60992	2-24	30569 61007
30"			1-1/2-30	30556 60995	2-30	30572 61010
36"			1-1/2-36	30557 60996	2-36	30573 61011
42"			1-1/2-42	30558	2-42	30574
48"			1-1/2-48	30559	2-48	30575



HAND TOOLS

DESCRIPTION	FOR FASTENER	ORDER NUMBER	ITEM CODE	PRODUCT CODE
BOLT HORN 		2BH	30480	61227
BOLT BREAKER (TWO PER PACKAGE) 	1-140,190 & RP1	110	30474	61228
	1 1/2, 2, 2 1/4 & RP2	112*	30475	61229
	2 1/2 & 3	113*	30479	61230
PUNCH 	1,140,190 & RP1	P1P	30460	61231
	1 1/2, 2, 2 1/4 & RP2	P2P	30461	61232
	2 1/2 & 3	P3P	30462	61233
BORING BIT 	1,140,190 & RP1	B1B	30468	61234
	1 1/2, 2, 2 1/4 & RP2	B2B	30469	61235
	2 1/2 & 3	B3B	30470	61250

WRENCH 	1,140,190 & RP1	S1S	30442	61236
	1 1/2,2, 2 1/4 & RP2	S2S	30443	61237
	2 1/2 & 3	S3S	30444	61238

*Sizes 112 & 113 are straight bolt breakers-no bend

POWER TOOLS

DESCRIPTION	FOR FASTENER	ORDER NUMBER	ITEM CODE	PRODUCT CODE
POWER PUNCH 	1,140,190 & RP1	HP1	30463	61239
	1 1/2,2, 2 1/4 & RP2	HP2	30464	61240
	2 1/2 & 3	HP3	30465	61241
POWER BORING BIT 	1,140,190 & RP1	HB1	30471	61242
	1 1/2,2, 2 1/4 & RP2	HB2	30472	61243
	2 1/2 & 3	HB3	30473	61244

POWER WRENCH



GREEN	1,140,190 & RP1	HW1	30447	61245
RED	1 1/2,2, 2 1/4 & RP2	HW2	30448	61246
BLUE	2 1/2 & 3	HW3	30449	61247
QUICK CHANGE CHUCK		5552	30481	61248

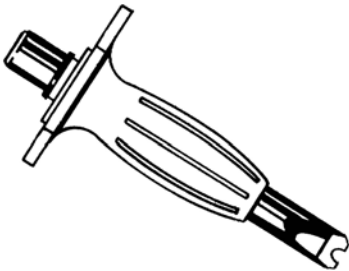
FLEXCOLOK



BELT TAPE 100' PER CARTON

FASTENER SIZE	DESCRIPTION		TAPE WIDTH	PRODUCT CODE
Nos. 140, 1	FL7C	30888	7/16"	61273
Nos. 190, 1-1/2, 2, 2-1/4	FL11C	30889	11/16"	61274

CRACKING CHISEL



NUT SIZE	DESCRIPTION		PRODUCT CODE
1,140 or 190	C1C	30438	61275
1-1/2, 2 or 2-1/4	C2C	30439	61276

WEDLOCK SPLICE KIT

DESCRIPTION	PRODUCT CODE
2W	60890

[Previous Page](#) || [View PDF of Flexco Products](#) 

ra Rubber & Accessories

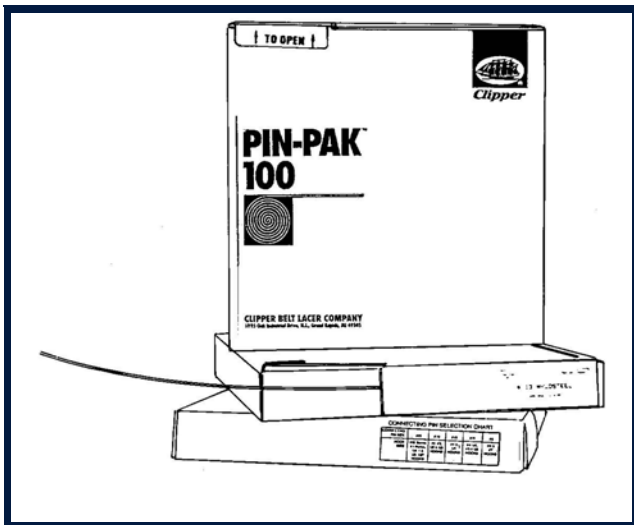
Your Hose and Belting Resource

Lakeland, FL - 800-282-1734 / Tucker, GA - 800-647-3743



FLEXCO CLIPPER CONNECTING PINS & TOOLS

(100 FT. OF CONNECTING PIN WITH DISPENSER)



PIN DIAMETER	DESCRIPTION	PRODUCT CODE	PIN DIAMETER	DESCRIPTION	PRODUCT CODE	PIN DIAMETER	DESCRIPTION	PRODUCT CODE
NYLOSTEEL			NYLOSTAINLESS			NYLON COVERED CABLE		
.065	NY065-C	02598 60468	.065	NYS065-C	02649 60475	.065	NCS065-C	02751 60489
.079	NY079-C	18720	.093	NYS093-C	02670 60476	.093	NCS093-C	02767 60490
.093	NY093-C	02628 60469	.109	NYS109-C	02664 60477	.125	NCS125-C	02762 60492
.109	NY109-C	02622 60470	.125	NYS125-C	02658 60478	.156	NCS156-C	02756 60494
.125	NY125-C	02614 60471	.156	NYS156-C	02652 60480			
.156	NY156-C	02607 60473						

PIN DIAMETER	DESCRIPTION	PRODUCT CODE	PIN DIAMETER	DESCRIPTION	PRODUCT CODE
NYLON PLUS			DURASTAINLESS		
.065	NP065-C	02854 60482	.065	DSS065-C	02826 60462

.093	NP093-C	02867	60483	.093	DSS093-C	02830	60463
.109	NP109-C	02861	60484	.109	DSS109-C	02834	60464
.125	NP125-C	02864	60485				
.156	NP156-C	02873	60487				

CONNECTINGPINS



(25 FOOT MINIMUM)

PIN DIAMETER	DESCRIPTION	PRODUCT CODE	PIN DIAMETER	DESCRIPTION	PRODUCT CODE	
NOTCHED STAINLESS			SMOOTH STAINLESS			
.093	NS093	02784	60498	SMS093	02781	60496

CONNECTINGPIN TOOLS

DESCRIPTION	PRODUCE CODE
PIN & CABLE STRIPPER	03241 60533

CLIPPER LACERS - MANUAL ROLLER LACER

BELT WIDTH	DESCRIPTION	PRODUCT CODE
24"	RL-24	03370 60614
36"	RL-36	03371 60616
48"	RL-48	03372 60617
60"	RL-60	03375 60618

FACE STRIP FOR MANUAL ROLLER LACER

DESCRIPTION	PRODUCT CODE
hook size 36, UCM36	
FSMAN36-24	04020 60712
FSMAN36-36	04021 60713
FSMAN36-48	04022 60714
FSMAN36-60	04023 60715
hook size 1, UX-1	
FSMAN1-24	04015 60680
FSMAN1-36	04016 60683
FSMAN1-48	04017 60686
FSMAN1-60	04018 60689

hook size 2-4, U2SP-U3		
FSMAN2-24	04025	60681
FSMAN2-36	04026	60684
FSMAN2-48	04027	60687
FSMAN2-60	04028	60690
hook size 4-1/2-7, U4-U7		
FSMAN4-1/2-24	04030	60682
FSMAN4-1/2-36	04031	60685
FSMAN4-1/2-48	04032	60688
FSMAN4-1/2-60	04033	60691

CLIPPER LACERS - MICROLACER

BELT WIDTH	DESCRIPTION	PRODUCT CODE
14"	MICROLACER	03368 60612

FACESTRIP FOR MICROLACER

HOOK SIZE	DESCRIPTION	PRODUCT CODE
36, UCM36	FSMAN36-MICRO	04019 60711
1,UX-1	FSMAN1-MICRO	04014 60679
2-4, U2-U3	FSMAN2-MICRO	04024 60716
4-1/2-7, U4-U7	FSMAN4-1/2-MICRO	04029 60717

WISE LACER

HOOK SIZE	DESCRIPTION	PRODUCT CODE
2-7, U2-U7	R-4	03018 60650
2-7, U2-U7	R-7	03019 60651
2-7, U2-U7	R-10	03020 60652
1,UX-1, UX-1SP	1VL-7	03236 60653
25	25VL-7	03814 60655
30, 36, UCM36	36VL-7	03238

#25 LEVER LACER

HOOK SIZE	DESCRIPTION	PRODUCT CODE
25	25LEVER	03014 60657

BELT CUTTER

DESCRIPTION		PRODUCT CODE
10" REPLACEMENT BLADE	03009	60456
10" REPLACEMENT NYLON BLOCK	03010	60457

#25 BELT CUTTER

DESCRIPTION		PRODUCT CODE
#25 BELT CUTTER (for 6" belt width)	04101	60449
#25 REPLACEMENT BLADES (5/Pkg)	03012	60458

PLASTIC HOOK GAUGE

DESCRIPTION		PRODUCT CODE
CLIPPER - hook size GAUGE	03129	60695

CARDING PAPER REMOVER

DESCRIPTION		PRODUCT CODE
CARDING PAPER REMOVER	03128	

ROUGH TOP BELT SKIVER

DESCRIPTION		PRODUCT CODE
RTBS ROUGH TOP SKIVER	03239	60697

UNIBAR WIRE CUTTERS

DESCRIPTION		
WIRE CUTTER		03445

SILVER INK BELT MARKING PEN

DESCRIPTION		
M-4	01350	

LACING ACCESSORY KIT

DESCRIPTION		PRODUCT CODE
ACCESSORY KIT	03132	60698

TAPE BINDERS

DESCRIPTION

PRODUCT CODE

QD BINDER - QUART

03704

60442

SCISSORS

DESCRIPTION

PRODUCT CODE

CLIPPER SCISSORS

03244

60696

[Previous Page](#)



[View PDF of Flexco Products](#) 

Rubber & Accessories, Inc. | Lakeland, FL - 800.282.1734 | | Tucker, GA - 800.647.3743 | Email: [INFO](#)

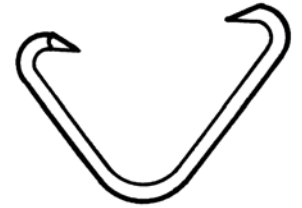
ra Rubber & Accessories

Your Hose and Belting Resource

Lakeland, FL - 800-282-1734 / Tucker, GA - 800-647-3743



FLEXCO CLIPPER SERIES



HOOKS PER CARD

To view specifications for FASTENER AND PIN SIZE SELECTION, click [here](#).

GALVANIZED - 12" LENGTHS

	HOOK SIZE	DESCRIPTION	PRODUCT CODE	HOOKS PER CARD	CARDS PER BOX	LACING INCHES PER BOX	
	WITHOUT PINS						
	2SP	2SPG	02168	60041	84	12	144
	2	2G	02154	60042	84	12	144
	3	3G	02182	60043	84	12	144
	4	4G	02216	60044	84	12	144
	4-1/2	4-1/2G	02300	60045	84	12	144
	5	5G	02323	60046	84	12	144
	6	6G	02348	60047	84	12	144
	7	7G	02363	60048	84	12	144
2-7 SERIES	WITH PINS						
	2SP	2SPGNY	02169	60007	84	12	144
	2	2GNY	02155	60008	84	12	144
	3	3GNY	02183	60009	84	12	144
	4	4GNY	02217	60010	84	12	144
	4-1/2	4-1/2GW	02301	60011	84	12	144
	5	5GW	18227	60012	84	12	144
	6	6GW	18228	60013	84	12	144
	7	7GW	02365	60014	84	12	144

HIGH TENSILE - WITHOUT PINS - 12" LENGTHS

	HOOK SIZE	DESCRIPTION	PRODUCT CODE	HOOKS PER CARD	CARDS PER BOX	LACING INCHES PER BOX	
	WITHOUT PINS						
2-6 SERIES	2SP	2SPHT	02173	60075	84	12	144
	2	2HT	02161	60076	84	12	144
	3	3HT	02189	60077	84	12	144
	4	4HT	02233	60078	84	12	144
	4-1/2	4-1/2HT	02307	60080	84	12	144
	5-3	5-3HT	02342		84	12	144
	5	5HT	02330	60081	84	12	144
	6	6HT	02355	60082	84	12	144

430 STAINLESS - 12" LENGTHS

	HOOK SIZE	DESCRIPTION	PRODUCT CODE	HOOKS PER CARD	CARDS PER BOX	LACING INCHES PER BOX		
	WITHOUT PINS							
2-7 SERIES	2SP	2SPS	02170	60138	84	12	144	
	2	2S	02157	60139	84	12	144	
	3	3S	02185	60140	84	12	144	
	4	4S	02219	60141	84	12	144	
	4-1/2	4-1/2S	02303	60142	84	12	144	
	5	5S	02326	60143	84	12	144	
	6	6S	02351	60144	84	12	144	
	7	7S	02367	60145	84	12	144	
		WITH PINS						
		2SP	2SPSNYS	02171	60107	84	12	144
		2	2SNYS	02158	60108	84	12	144
		4	4SNYS	02220	60110	84	12	144
		4-1/2	4-1/2-SW	02304	60111	84	12	144
		5	5SW	02327	60112	84	12	144
	6	6SW	02352	60113	84	12	144	
	7	7SW	02368	60114	84	12	144	

316L STAINLESS - WITHOUT PINS - 12" LENGTHS

	HOOK SIZE	DESCRIPTION	PRODUCT CODE	HOOKS PER CARD	CARDS PER BOX	LACING INCHES PER BOX	
	WITHOUT PINS						
2-7 SERIES	2SP	2SPSS	02172	60172	84	12	144
	2	2SS	02159	60173	84	12	144
	3	3SS	02187	60174	84	12	144
	4	4SS	02221	60175	84	12	144
	4-1/2	4-1/2SS	02305	60176	84	12	144
	5	5SS	02328	60177	84	12	144
	6	6SS	02353	60178	84	12	144
	7	7SS	02370	60179	84	12	144

FASTENERS

Galvanized - 6" Lengths

	HOOK SIZE	DESCRIPTION	PRODUCT CODE	HOOKS PER CARD	CARDS PER BOX	LACING INCHES PER BOX	
	WITHOUT PINS						
1 SERIES	1XSP (1D)	1XSPG6	02118	60037	50	24	144
	1SP (1A)	1SPG6	02267	60038	50	24	144
	1	1G6	02072	60039	50	24	144
	1LL	1LLG6	02073	60040	50	24	144
		WITH PINS					
	1XSP (1D)	1XSPG6NY	02120	60003	50	24	144
	1SP (1A)	1SPG6NY	02269	60004	50	24	144
	1	1G6NY	02075	60005	50	24	144
	1LL	1LLG6NY	02076	60006	50	24	144

Galvanized - 12" Lengths

	HOOK SIZE	DESCRIPTION	PRODUCT CODE	HOOKS PER CARD	CARDS PER BOX	LACING INCHES PER BOX	
	WITHOUT PINS						
1 SERIES	1	1G12	02100	63476	96	12	144
		WITH PINS					
	1SP (1A)	1SPG12NY	02285	60018	96	12	144

HIGH TENSILE - WITHOUT PINS

	HOOK SIZE	DESCRIPTION	PRODUCT CODE	HOOKS PER CARD	CARDS PER BOX	LACING INCHES PER BOX	
	6" LENGTHS						
1 SERIES	1XSP (1D)	1XSPHT6	02133	60071	50	24	144
	1SP (1A)	1SPHT6	02278	60072	50	24	144
	1	1HT6	02089	60073	50	24	144

FASTENERS

430 STAINLESS - 6" LENGTHS

	HOOK SIZE	DESCRIPTION	PRODUCT CODE	HOOKS PER CARD	CARDS PER BOX	LACING INCHES PER BOX	
WITHOUT PINS							
1 SERIES	1XSP (1D)	1XSPS6	02126 60134	50	24	144	
	1SP (1A)	1SPS6	02272 60135	50	24	144	
	1	1S6	02079 60136	50	24	144	
	1LL	1LLS6	02080 60137	50	24	144	
	WITH PINS						
	1XSP (1D)	1XSPS6NYS	02128 60103	50	24	144	
	1SP (1A)	1SPS6NYS	02274 60104	50	24	144	
	1	1S6NYS	02081 60105	50	24	144	
1LL	1LLS6NYS	02082 60106	50	24	144		

316L STAINLESS - WITHOUT PINS

	HOOK SIZE	DESCRIPTION	PRODUCT CODE	HOOKS PER CARD	CARDS PER BOX	LACING INCHES PER BOX
6" LENGTHS						
1 SERIES	1XSP (1D)	1XSPSS6	02130 60168	50	24	144
	1SP (1A)	1SPSS6	02275 60169	50	24	144
	1	1SS6	02083 60170	50	24	144
	1LL	1LLSS6	02084 60171	50	24	144

316L STAINLESS - WITHOUT PINS - 12" LENGTHS

	HOOK SIZE	DESCRIPTION	PRODUCT CODE	HOOKS PER CARD	CARDS PER BOX	LACING INCHES PER BOX
36 SERIES	36SP	36SPSS	02382 60181	120	12	144
	36	36SS	02378 60180	120	12	144

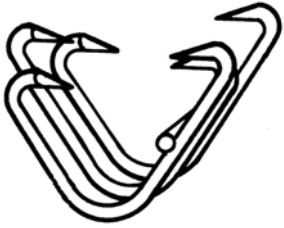
GALVANIZED 6" LENGTHS

	HOOK SIZE	DESCRIPTION	PRODUCT CODE	HOOKS PER CARD	CARDS PER BOX	LACING INCHES PER BOX	
WITHOUT PINS							
25 SERIES	25	25G6	01746 60034	85	48	288	
	25LP	25LPG6	01985 60035	85	48	288	
	25LL	25LLG6	01748 60036	85	24	144	
	WITH PINS						
	25	25G6NY	01752 60292	85	48	288	
	25LP	25LPG6NY	01987 60001	85	48	288	
25LL	25LLG6NY	01754 60002	85	24	144		

316L STAINLESS - 6" LENGTHS

	HOOK SIZE	DESCRIPTION	PRODUCT CODE	HOOKS PER CARD	CARDS PER BOX	LACING INCHES PER BOX	
25 SERIES	WITHOUT PINS						
	25	25SS6	01764	60165	85	48	288
	25LP	25LPSS6	01990	60166	85	48	288
	25LL	25LLSS6	01766	60167	85	24	144
	WITH PINS						
25	25SS6NYS	01772		85	48	288	

430 STAINLESS - WITHOUT PINS



	HOOK SIZE	DESCRIPTION	PRODUCT CODE	HOOKS PER CARD	CARDS PER BOX	LACING INCHES PER BOX	
UX-1, U2SP-U5	6" STRIPS - 24 STRIPS PER BOX						
	UX-1	UX1S6	01178	60357	44	24	144
	U3-1	U3-1S6	01143	60360	38	24	144
	U3-2	U3-2S6	01230	60363	38	24	144
	U3	U3S6	01254	60366	38	24	144
	12" STRIPS - 12 STRIPS PER BOX						
	UX-1SP	UX1SPS12	01184	60355	96	12	144
	UX-1	UX1S12	01179	60358	96	12	144
	U2	U2S12	18400	60351	84	12	144
	U3	U3S12	01255	60367	84	12	144
	U3-1	U3-1S12	01144	60361	84	12	144
	U3-2	U3-2S12	01231	60364	84	12	144
	U4	U4S12	01283	60370	84	12	144
	U5	U5S12	01305	60373	84	12	144
	24" STRIPS - 10 STRIPS PER BOX						
	UX-1	UX1S24	01356	60359	188	10	240
	U2	U2S24	18477	60352	162	10	240
	U3-1	U3-1S24	01363	60362	162	10	240
	U3-2	U3-2S24	01361	60365	162	10	240
	U3	U3S24	18478	60368	162	10	240
	U4	U4S24	18479	60371	162	10	240
	U5	U5S24	01351	60374	162	10	240

COATED STEEL - WITHOUT PINS

	HOOK SIZE	DESCRIPTION	PRODUCT CODE	HOOKS PER CARD	CARDS PER BOX	LACING INCHES PER BOX	
	12" STRIPS - 12 STRIPS PER BOX						
U1-U6	U2SP	U2SPC12	18850	63309	84	12	144
	U3	U3C12	01251	63312	84	12	144
	U4	U4C12	01279	63314	84	12	144
	U5	U5C12	01301	63316	84	12	144
	U6	U6C12	18374	63318	84	12	144
		24" STRIPS - 10 STRIPS PER BOX					
	U2	U2C24	18453	63344	162	10	240
	U3	U3C24	18454	63346	162	10	240
	U4	U4C24	18455	63348	162	10	240

316L STAINLESS - WITHOUT PINS

	HOOK SIZE	DESCRIPTION	PRODUCT CODE	HOOKS PER CARD	CARDS PER BOX	LACING INCHES PER BOX	
	12" STRIPS - 12 STRIPS PER BOX						
UCM36, UX-1	UCM36 SLXSP	UCM36SLXSPSS12	01315	60342	120	12	144
	UCM36 SP	UCM36SPSS12	01314	60341	120	12	144
	UCM36	UCM36SS12	01309	60340	120	12	144
	UX-1	UX1SS12	01189	60330	96	12	144
	UX-1LL	UX1LLSS12	01340	60332	96	12	144
		24" STRIPS - 10 STRIPS PER BOX					
	UX-1	UX1SS24	01353	60331	188	10	240
	UX-1LL	UX1LLSS24	01357	60333	188	10	240

[Previous Page](#) || [View PDF of Flexco Products](#) 

ra Rubber & Accessories

Your Hose and Belting Resource

Lakeland, FL - 800-282-1734 / Tucker, GA - 800-647-3743



CLIPPER® HOOK AND PIN SELECTION CHART

15/16" 24mm	.025"	.65"/1.7mm	25SP*
	.025"	.65"/1.7mm	25*
	.036" x .027"	.65"/1.7mm	UCM36SLXSP
	.036" x .027"	.65"/1.7mm	UCM36SL SP
	.025"	.65"/1.7mm	25LP*
2" 51mm	.036" x .027"	.65"/1.7mm	UCM36XSP
	.030"	.65"/1.7mm	30*
	.036" x .027"	.65"/1.7mm	UCM36SP*
	.036" x .027"	.65"/1.7mm	36 SP*
	.040"	.65"/1.7mm	1 XSP*
	.030"	.65"/1.7mm	30P*
	.040"	.65"/1.7mm	UX-1 SP*
	.036" x .027"	.65"/1.7mm	UCM36*
	.036" x .027"	.65"/1.7mm	36*
	.040"	.65"/1.7mm	1 SP*
	.036" x .027"	.65"/1.7mm	UCM36 LP*
	.040"	.65"/1.7mm	1*
	.040"	.65"/1.7mm	UX-1*
	.047"	.93"/2.4mm	UA2
	.054"	.93"/2.4mm	U2 SP
	.054"	.93"/2.4mm	2SP
.054"	.93"/2.4mm	U2	
.054"	.93"/2.4mm	2	
.047"	.93"/2.4mm	UA3	

3" 76mm	.054"	.93"/2.4mm	U3-1
	.054"	.93"/2.4mm	3-1
	.054"	.93"/2.4mm	U3-2
	.054"	.93"/2.4mm	3
	.054"	.93"/2.4mm	U3
	.054"	.93"/2.4mm	3-4 1/2
4" 102mm	.054"	.109"/2.8mm	4-2
	.054"	.125"/3.2mm	4 1/2-3
	.054"	.109"/2.8mm	4
	.054"	.109"/2.8mm	U4
	.054"	.125"/3.2mm	4 1/2

5" 127mm	.054"	.125"/3.2mm	5
	.054"	.125"/3.2mm	U5
6" 152mm	.054"	.156"/4.0mm	6
	.054"	.156"/4.0mm	U6
7" 175mm	.054"	.156"/4.0mm	7
	.054"	.156"/4.0mm	U7

ra Rubber & Accessories

Your Hose and Belting Resource

Lakeland, FL - 800-282-1734 / Tucker, GA - 800-647-3743



PULLEY LAGGING

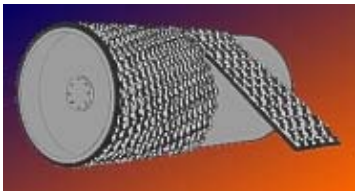
ROUGH TOP LAGGING

LAGGING ADHESIVE

SELF ADHESIVE PULLEY LAGGING

PULLEY TRACTION PADS

ROUGH TOP LAGGING



Cut to width and shipped in rolls or cut to specific length. Strips are wound around pulley and held in place by adhesive or by rivets.

WIDTH*	PRODUCT CODE
2"	45402
3"	45403
4"	45404

* Other widths available upon request.

DRIVE RIVETS FOR ATTACHING LAGGING TO PULLEY.

PRODUCT CODE

45500

LAGGING ADHESIVE

RUBBER CEMENT

A fast-setting, solvent type, synthetic rubber compound designed for industrial bonding operations on high speed production schedules. Bonding is accomplished by instantaneous pressure alone; no clamps, presses, or complicated heat curing schedules are needed. Suitable for most types of dissimilar lamination involving plywood, plastic laminates, steel, aluminum, linoleum, pressed wood, copper, porcelainized steel, fiberboard, leather fabric and rubber. Produces an odorless, non-staining bond which is resistant to heat, moisture, oil, grease, and many chemicals. The film is firm and tenacious, featuring high dead-load strength, yet sufficiently elastic to resist shock and fatigue.

PINTS:

PRODUCT CODE	31505
--------------	-------

QUARTS

PRODUCT CODE	31506
--------------	-------

GALLONS:

PRODUCT CODE	31507
--------------	-------

SELF ADHESIVE PULLEY LAGGING



For light duty applications. Rough surface lagging with adhesive back. Supplied on 60 ft. rolls ONLY.

WIDTH*

2"

LENGTH

60'

PRODUCT CODE

27101

PULLEY TRACTION PADS

RANDOM SPLICE LAYOUT

HOW TO ORDER

Easy to install - no bolts, screws or adhesives. Simply weld a

Just specify, pulley diameter and "Style 5." You

retainer strip, lay in a pad, weld in another strip, lay in another

will receive equal footage of "double" retainers

pad, etc. until job is finished. Installation takes but a few hours.

and 1/4 footage of "single" retainers .

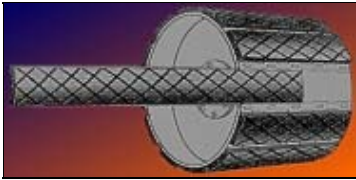
**Replacement can be done in minutes - simply by sliding the

free with each order

pads in or out from the ends of the pulley - without removing

Shipping Wt. approx. 17 lbs.

the pulley from the conveyor.



USE THIS TABLE TO DETERMINE NUMBER OF 6 FOOT LENGTHS REQUIRED FOR ONE PULLEY

PRODUCT CODE	DIA.	PULLEY FACE WIDTH																			
		12"	14"	16"	18"	20"	22"	24"	26"	30"	32"	36"	38"	40"	44"	46"	51"	54"	60"	66"	72"
00470	6"	1	1	1	1	1	1	1	2	2	2	2	2	2	2	2	3	3	3	3	3
00471	8"	1	1	1	1	2	2	2	2	2	2	2	3	3	3	3	3	3	4	4	4
00472	10"	1	1	2	2	2	2	2	2	3	3	3	3	4	4	4	4	5	5	5	
00473	12"	1	2	2	2	2	2	2	3	3	3	3	4	4	4	4	5	5	5	6	6
00474	14"	2	2	2	2	2	3	3	3	3	4	4	4	4	5	5	5	6	6	7	7
00475	16"	2	2	2	2	3	3	3	3	4	4	4	5	5	5	6	6	6	7	8	8
00476	18"	2	2	2	3	3	3	3	4	4	4	5	5	5	6	6	7	7	8	9	9
00477	20"	2	2	3	3	3	4	4	4	5	5	5	6	6	7	7	8	8	9	10	10
00478	24"	2	3	3	3	4	4	4	5	5	6	6	7	7	8	8	9	9	10	11	12
-----	28"	3	3	4	4	4	5	5	6	6	7	7	8	8	9	9	10	11	12	13	14
00479	30"	3	3	4	4	5	5	5	6	7	7	8	8	9	10	10	11	12	13	14	15
00480	36"	3	4	4	5	5	6	6	7	8	8	9	10	10	11	12	13	14	15	17	18
00481	42"	4	5	5	6	6	7	7	8	9	10	11	12	12	13	14	15	16	18	20	21
00482	48"	4	5	6	6	7	8	8	9	10	11	12	13	14	15	16	17	18	20	22	24
-----	54"	5	6	6	7	8	9	9	10	12	12	14	15	15	16	18	20	21	23	25	27
-----	60"	5	6	7	8	9	10	10	11	13	14	15	16	17	19	20	22	23	25	28	30
-----	72"	6	7	8	9	10	11	12	13	15	16	18	19	20	22	23	26	27	30	33	36

[Previous Page](#) || [View PDF of Belt Accessories](#)

ra Rubber & Accessories

Your Hose and Belting Resource

Lakeland, FL - 800-282-1734 / Tucker, GA - 800-647-3743



BELT SKIRTING

SKIRT BOARD RUBBER



When used with skirt boards, it prevents edge spillage and directs material into the center of the belt. Ideal for belt scraper use.

THICKNESS (INCHES)	WIDTH (INCHES)	WT/ L FT. (LBS)	STANDARD FT/ROLL	PRODUCT CODE
1/4	4	.55	50	12102
1/4	6	.83	50	12103
1/4	8	1.11	50	12104
3/8	4	.83	50	12105
3/8	6	1.24	50	12106
3/8	8	1.66	50	12107
3/8	10	2.10	50	12101
3/8	12	2.49	50	12119
1/2	4	1.11	50	12108
1/2	6	1.66	50	12109
1/2	8	2.21	50	12110
1/2	10	2.76	50	12115
1/2	12	3.31	50	12116
3/4	6	2.49	50	12111

3/4	8	3.33	50	12112
3/4	12	5.00	50	12120
1	6	3.32	50	12113
1	8	4.29	50	12114

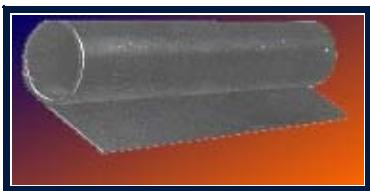
BUCKER UP STRIP (BUFFER CHANNEL)



Manufactured with 70 durometer rubber - 1600 lb. minimum tensile strength. Abrasion resistant. Used for protection of sizing screens in aggregate plants.

SIZE	STD PKG.	PRODUCT CODE
1/4"	100'	27062
3/8"	100'	27063
1/2"	100'	27064
3/4"	100'	27065

CHUTE LINING



APPLICATION: for lining metal or wood chutes, hoppers, troughs, or launders used in construction, quarries, mines, etc.

CONSTRUCTION: top quality all rubber (tensile strength 2500-3000) construction with high resistance to tearing, cutting, and abrasion. Designed to resist abrasion. Also designed to resist corrosive liquids present in handling run-of-mine coal.

SPECIFICATIONS: width to 48", thickness 1/4" to 1" roll length to 28 feet.

THICKNESS INS.	PRODUCT CODE
1/4	12200
3/8	12201
1/2	12202
3/4	12203

[Previous Page](#)



[View PDF of Belt Accessories](#) 

Rubber & Accessories, Inc. | Lakeland, FL - 800.282.1734 || Tucker, GA - 800.647.3743 | Email: [INFO](#)

ra Rubber & Accessories

Your Hose and Belting Resource

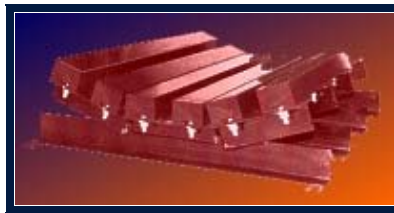
Lakeland, FL - 800-282-1734 / Tucker, GA - 800-647-3743



SLIDER AND IMPACT BEDS

One piece construction	Eliminate fugitive dust and fines
Fast installation in restricted areas	Eliminate chronic impact idler problems
Easy blade replacement	Most wearing surface on the market
Handles all mechanical splices	Meets CEMA B, C, D, and E
Secondary cleaners available	

Slider Bed



Skirtboard Sealing Systems

Eliminate spillage, Dust, and Fines at Transfer Points

Provides highly reliable, positive seal	Reduces material waste
Slashes clean up costs	Improves safety
Reduces damage to belts and components	Provides easy installation / adjustment

Skirtboard Sealing Systems:
Clamp Mount

Single Clamp-Mount available
Stainless Steel (304L) available
for corrosion applications

[Previous Page](#) || [View PDF of Belt Accessories](#) 

ra Rubber & Accessories

Your Hose and Belting Resource

Lakeland, FL - 800-282-1734 / Tucker, GA - 800-647-3743



OUR MISSION

is to continue to build our business on the solid foundation of ethics, service and reliability.

OUR INTENTION

is to profit, but only in such a manner as to be compatible with these guidelines.

Our combined years of experience in the industrial rubber industry is substantial and because of this we feel uniquely qualified and deeply honored to serve the industrial rubber needs of our customers.

TERMS AND CONDITIONS

- Payment: Net 30 days, subject to credit approval. Discounts improperly taken will be charged back. A service charge of 1½% per month will be made on all delinquent accounts.
- Freight: Full freight allowed on orders of \$2,500 net or more to one destination East of the Mississippi
- Prices: Subject to change without notice.
- Warranty: All products are guaranteed against defective material and/or workmanship. Warranty or guarantee is limited to the purchase of merchandise only.
- Credit: Permission must be granted before any merchandise can be returned for credit. A return Authorization Number must accompany all returned merchandise.

MAILING ADDRESS

FLORIDA

Warehouse / Sales Office

2120 Edgewood Drive So.
Lakeland, FL 33803

GEORGIA

Warehouse / Sales Office
4754-F. N. Royal Atlanta Dr.
Tucker, GA 30084

Remit to:

P.O. Box 777
Eaton Park, FL 33840

PHONE

lakeland office/warehouse

Local: 863-665-6115
Fax: 863-665-4540
Toll Free: 800-282-1734

atlanta office/warehouse

Local: 770-934-6062
Fax: 770-934-9024
Toll Free: 800-647-3743

Copyright 2009 - by Rubber & Accessories, Inc. All rights reserved. No part of this catalog may be reproduced or transmitted in any form or by any means, electronic or mechanical, including, but not limited to, photocopy, recording or information storage without permission in writing from the publisher.

Rubber & Accessories, Inc. | Lakeland, FL - 800-282-1734 | |Tucker, GA - Phone: 800-647-3743 | Email: [INFO](#)